



# Android Controller Y60

---

## Product Specifications

Version: Ver.1.6

## Statement

Dear user friend, thanks for choosing Shanghai Xixun Electronic Technology Co., Ltd. (hereinafter referred to as Xixun Technology) as your LED advertising equipment control system. The main purpose of this document is to help you quickly understand and use the product. We strive to be precise and reliable when writing the document, and the content may be modified or changed at any time without notice.

## Copyright

The copyright of this document belongs to Xixun Technology. Without the written permission of our company, no unit or individual may copy or extract the content of this article in any form.

## Trademark



is a registered trademark of Xixun Technology.

# Update Record

---

| No. | Version | Description of content updates | Revision Date |
|-----|---------|--------------------------------|---------------|
| 1   | Ver.1.0 | Initial Release                | 2020.01.02    |
| 2   | Ver.1.1 | Parameters change              | 2020.11.16    |
| 3   | Ver.1.2 | Content change                 | 2020.12.10    |
| 4   | Ver.1.3 | Content change                 | 2021.02.26    |
| 5   | Ver.1.4 | Content change                 | 2021.04.23    |
| 6   | Ver.1.5 | Image change                   | 2021.06.22    |
| 7   | Ver.1.6 | The temperature change         | 2021.09.16    |

The document is subject to change without prior notice

Shanghai Xixun Electronics Co., Ltd.

# Product introduction

---

With the development of LED car displays, in some areas, it needs to support wireless transmission, remote cluster control, docking with third-party platform applications, need control cards access the network and GPS positioning through WiFi or 4G, and need to be controlled by mobile phone. Xixun Y60 is tailor-made for these needs, leading the mobile car screen market. Make user control easier.

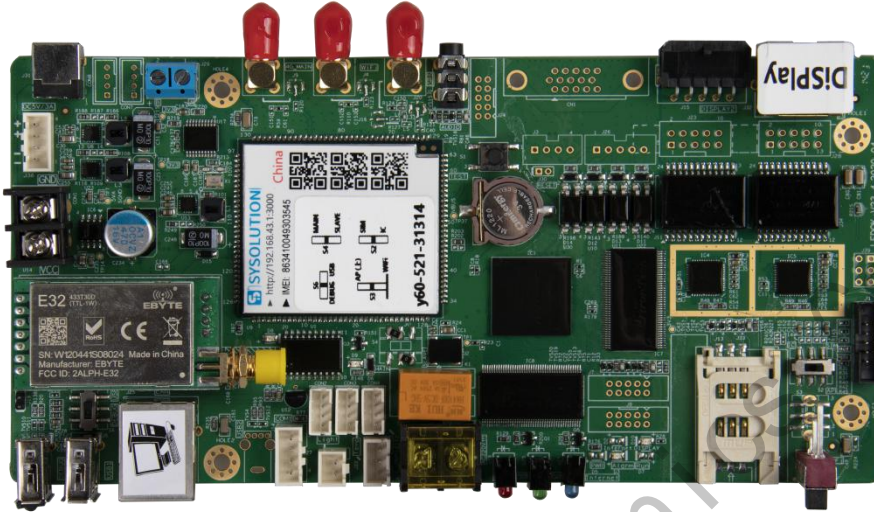
Y60 uses Qualcomm MSM8909 platform solution. The MSM8909 processor is manufactured using the 28nmLP CMOS process, and the quad-core frequency is 1.1GHz. The memory supports 1GB + 8GB (compatible with 2GB + 16GB) LPDDR3. The chip is a highly integrated product, can support GSM, WCDMA, TD-SCDMA, EVDO, TDD-LTE, FDD-LTE and other standards.

# Features

---

- a. Support FCC, CE certification;
- b. Lora wireless calibration multi-screen synchronization;
- c. Onboard WiFi module, realize wireless communication, support AP mode, Station mode;
- d. Support secondary development, support remote cluster control of cloud platform
- e. Built-in Web Sever, support for local web page production, support computer, iPhone, Android phone, tablet stand-alone program editing, cross-platform system fully compatible;
- f. Video hard decoding, support 1080P;
- g. Dual network ports with super load capacity, 720 pixels(width)\*1280(height) pixels resolution;
- h. Support dual network ports loop backup;
- i. Support full color static to 32 scan module;
- j. Conventional chips with high refresh, high brightness, and high grayscale;
- k. full chip support: support full range drivers IC such as Juji, Jichuangbeifang, Riyuecheng, Mingyang, etc;
- l. Industrial-strength onboard Flash: 8GB; highly integrated;
- m. Support USB camera;
- n. Support receiving card storage parameters (for use with the ninth generation receiving card);
- o. Supporting software: LedOK Express.

# Product Appearance



Product naked card appearance drawing

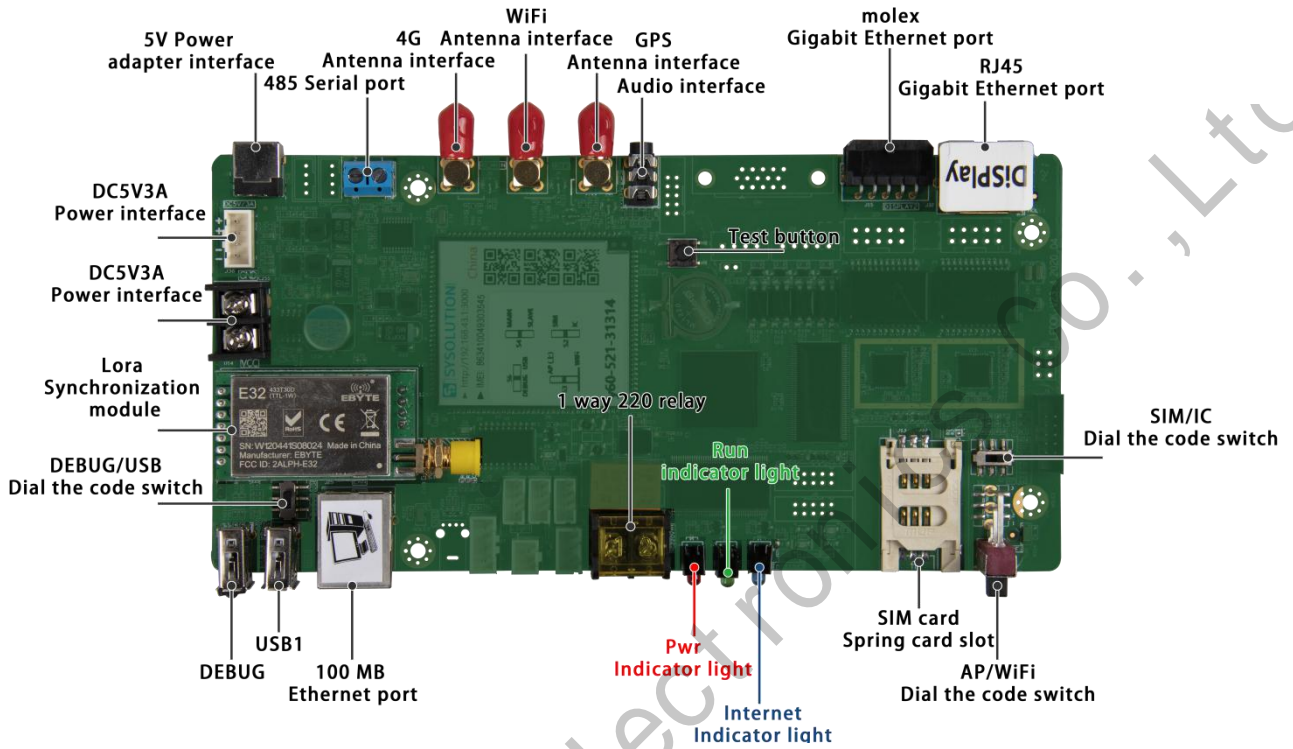


Product (with box) Appearance

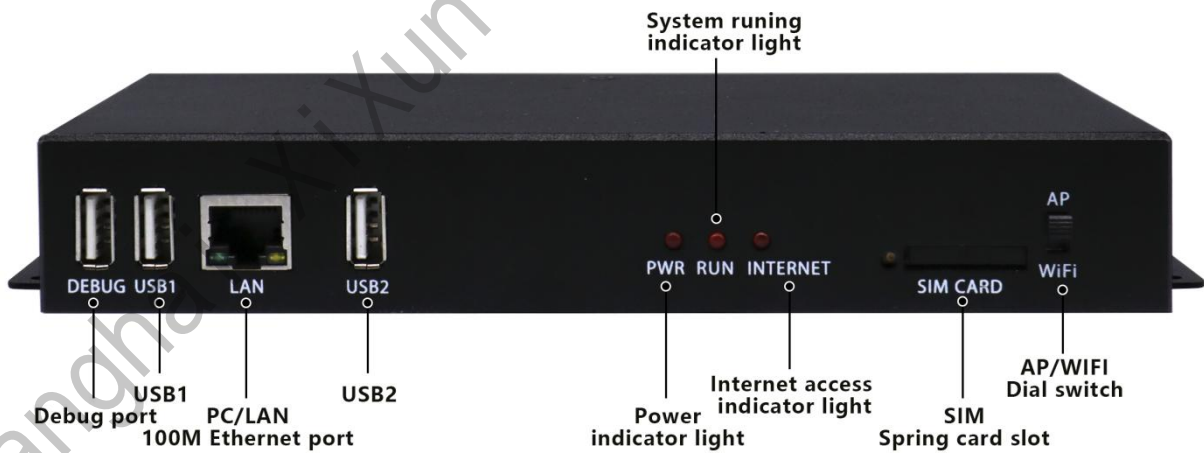
# Product Parameters

| Product                         | Description  |   |  |  |
|---------------------------------|--|---|--|--|
| Model                           | Y60-CH/Y60B-CH   | Y60-LA/Y60B-LA  | Y60-EU/Y60B-EU   | Y60-NA/Y60B-NA   |
| Load Pixels                     | 920 thousand pixels, 1280width pixels 720 height pixels  |   |  |  |
| Communicati                     | Network port, 4G full Netcom, WiFi, U disk   |   |  |  |
| CPU                             | Quad-core A7 (32bit) Quad core 1.1GHz  |   |  |  |
| GPU                             | A307 409.6MHz  |   |  |  |
| System                          | 8GB Emmc+1GB LPDDR3  |   |  |  |
| Operating                       | Android 5.1  |   |  |  |
| WiFi                            | IEEE 802.11b/g/n 2.4G  |   |  |  |
| GPS                             | GNSS GPS/Beidou/Glonass  |   |  |  |
| Bluetooth                       | Bluetooth BT4.1  |   |  |  |
| 3G/4G frequency band (optional) | -China<br>FDD-LTE:B1/3/5/8<br>TDD-LTE:B38/39/40/41<br>TDSCDMA:B34/39<br>WCDMA:B1/8<br>CDMA 1X/EVDO:BC0<br>GSM:B3/5/8 | -Latin America<br>-Australia<br>-Taiwan<br>FDD-LTE:B1/3/5/7/8/28<br>TDD-LTE:B40<br>WCDMA:B1/2/5/8<br>GSM:B2/3/5/8 | -Eurasia<br>-Middle East<br>FDD-LTE:B1/3/5/7/8/20<br>TDD-LTE:B38/40/41<br>WCDMA:B1/5/8<br>GSM:B3/5/8 | -North America<br>FDD-LTE:B2/4/5/7/12/13/17<br>WCDMA: B2/4/5 |
| Audio                           | Support  |   |  |  |
| Camera                          | Support  |   |  |  |
| Weather                         | Support  |   |  |  |
| Display                         | Support  |   |  |  |
| Configuration Software          | LedOK Express  |   |  |  |

# Interface Parameters/Definition



product interface annotations



| Front panel    |                         |
|----------------|-------------------------|
| Interface name | Interface specification |
| DEBUG          | Android debug port      |



|          |  |
|----------|--|
| USB1、2   | USB extension interface  |
| LAN      | Connect a PC or router   |
| PWR      | Power indicator, normally keeps on   |
| RUN      | System running indicator light, the system runs normally and flashes slowly at a uniform speed |
| INTERNET | Network indicator light, the network access indicator flashes slowly and evenly                |
| SIM CARD | SIM spring card slot   |
| AP/WIFI  | AP, WiFi dial switch   |



| Rear panel      |  |
|-----------------|--|
| Interface name  | Interface specification                                |
| DISPLAY (RJ45)  | Connect to receiving card Gigabit Ethernet port        |
| DISPLAY (Molex) | Connect to car screen dedicated receiving card Gigabit |

|         |   |
|---------|---|
|         | Ethernet port   |
| COM     | 1 port 485, 2 ports 232, 1 port TTL, 1 port I2C           |
| AUDIO   | 3.5mm audio output  |
| GPS     | External GPS antenna receives GPS positioning information |
| WiFi    | External WiFi antenna to enhance signal                   |
| 4G      | External 4G antenna to enhance signal                     |
| TEMP    | Temperature sensor probe interface                        |
| LIGHT   | Automatic brightness sensor probe interface               |
| DC5V-3A | DC5V3A input power interface                              |



|    |        |        |        |        |
|----|--------|--------|--------|--------|
| NC | P1MXD+ | P1MXC+ | P1MXB+ | P1MXA+ |
| NC | P1MXD- | P1MXC- | P1MXB- | P1MXA- |

|     |          |          |         |         |
|-----|----------|----------|---------|---------|
| 5   | 4        | 3        | 2       | 1       |
| B   | SCL1-3V3 | UTXD-RX4 |         | VDD-5V  |
| 10  | 9        | 8        | 7       | 6       |
| A   | SDA1-3V3 | UTXD-RX4 | VDD-5V  | GND     |
| 15  | 14       | 13       | 12      | 11      |
| GND | RX2-232  | TX2-232  | RX1-232 | TX1-232 |

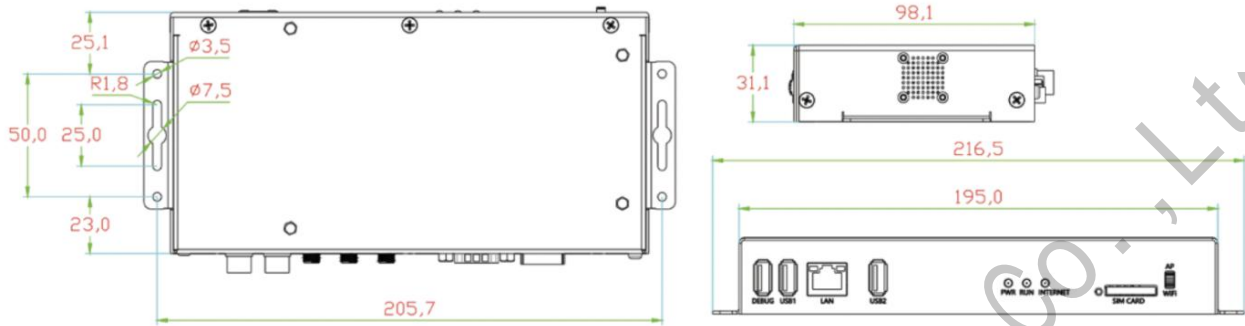
DB15 Serial Interface Definition

# Working Conditions

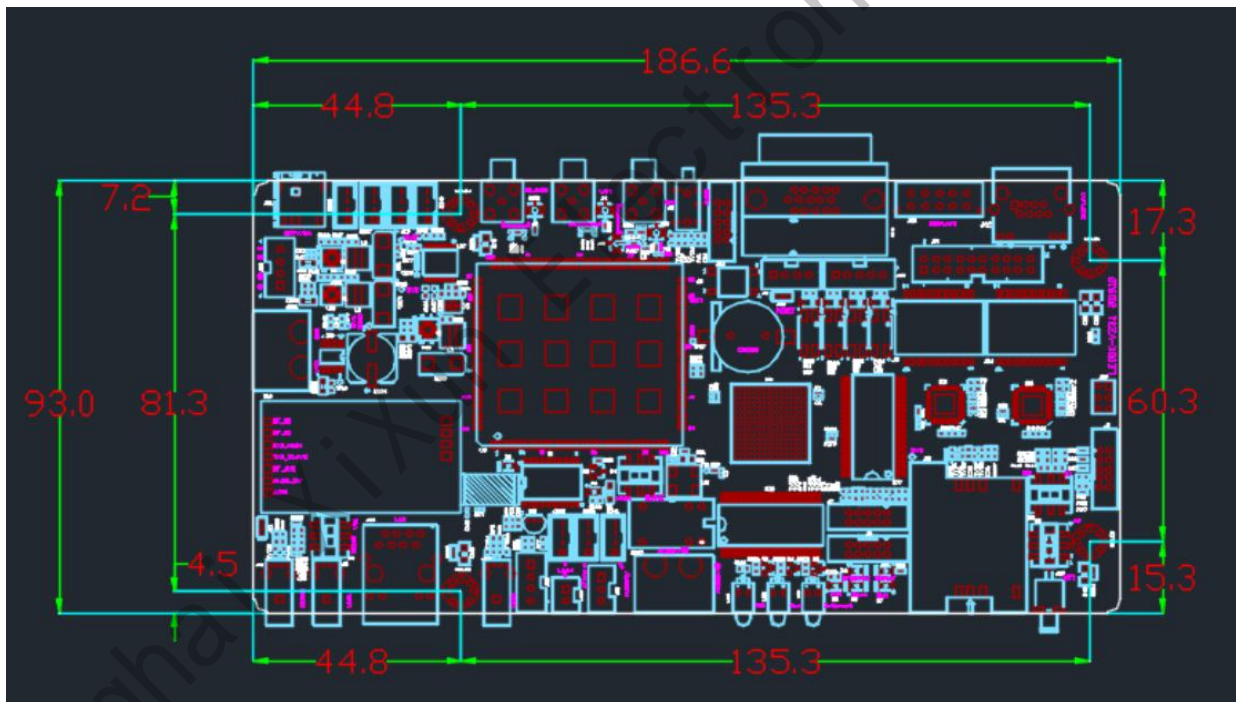
| General Parameters               |   |
|----------------------------------|---|
| Working Voltage (V)              | 4.5 ~ 6                                       |
| Maximum Working Current (A)      | 2   |
| Maximum Working Power (W)        | 10  |
| Working Temperature (°C)         | - 40°C ~ + 75°C                               |
| Storage Temperature (°C)         | -40°C ~ 70°C, recommended 5°C ~ 35°C          |
| Working Environment Humidity (%) | 10% ~ 90%, No Condensation                    |
| (Including box) Size (mm)        | 216.5 (length) × 98.1 (width) × 31.1 (height) |
| (Excluding box) Size (mm)        | 186.6 (length) × 93.0 (width) × 18.0 (height) |
| (Including box) Weight (g)       | 650   |
| (Excluding box) Weight (g)       | 450   |

1. It is recommended to use an independent (5V3A or above) power supply for the control card;
2. Excessive operating temperature will cause the power supply efficiency to drop sharply. If the control card and the module share the same power supply, please ensure that the control card has a stable voltage and a reasonable actual current supply.

# Installation Dimensions



Box mounting dimensions drawing



Unit: mm

Card installation dimensions

# Accessories

| Standard accessories | Size/Quantity |
|----------------------|---------------|
| WiFi Sucker antenna  | 3m*1          |
| 4G Sucker antenna    | 3m*1          |

(If you need other accessories, please place an order)

| Optional accessories  | Accessories features  |
|---|---|
| Humidity line RH3 (Includes box options)<br>Humidity line RH1 (without box, optional)     | Used to detect the humidity of the current external environment |
| Brightness line RL3 (Includes box options)<br>Brightness line RL1 (without box, optional) | Used to sense the brightness of the current environment         |
| Send box (with 5V3A Power adapter)  | External sending box  |
| Lora Synchronization module<br>(With 433 Synchronous sucker antenna4m*1)                  | Multi-screen synchronization                                    |

**Matched Accessories (Optional, additional models are available according to the order)**

# Cautions

---

- a. Forbidden to disassemble the product by yourself.
- b. Forbidden to insert or remove the SIM card while the power is on.
- c. Please do not use improper voltage for power supply.



Shanghai Xixun Electronics Co., Ltd.