



E60B-DC Integrated Power Box

Product Specifications

Version : Ver.1.5

Statement

Dear user friend, thanks for choosing Shanghai Xixun Electronic Technology Co., Ltd. (hereinafter referred to as Xixun Technology) as your LED advertising equipment control system. The main purpose of this document is to help you quickly understand and use the product. We strive to be precise and reliable when writing the document, and the content may be modified or changed at any time without notice.

Copyright

The copyright of this document belongs to Xixun Technology. Without the written permission of our company, no unit or individual may copy or extract the content of this article in any form.

Trademark



is a registered trademark of Xixun Technology.

Update

No.	Version	Update	Date
1	Ver.1.0	Initial	2020.07.01
2	Ver.1.1	Parameters change	2020.09.28
3	Ver.1.2	Parameters change	2020.12.15
4	Ver.1.3	Image change	2021.01.11
5	Ver.1.4	Add content	2021.03.24
6	Ver.1.5	The temperature change	2021.09.16

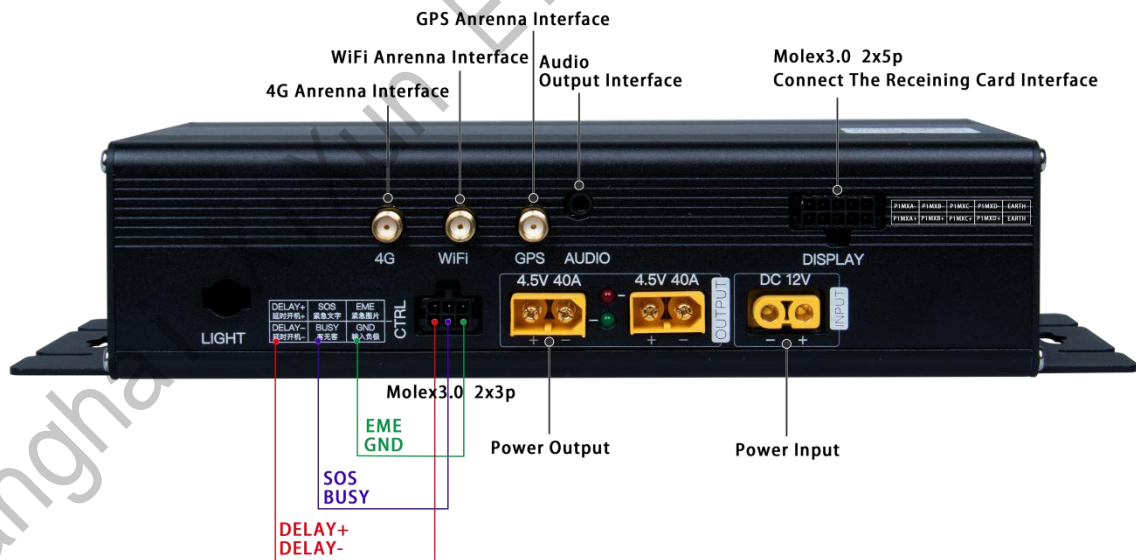
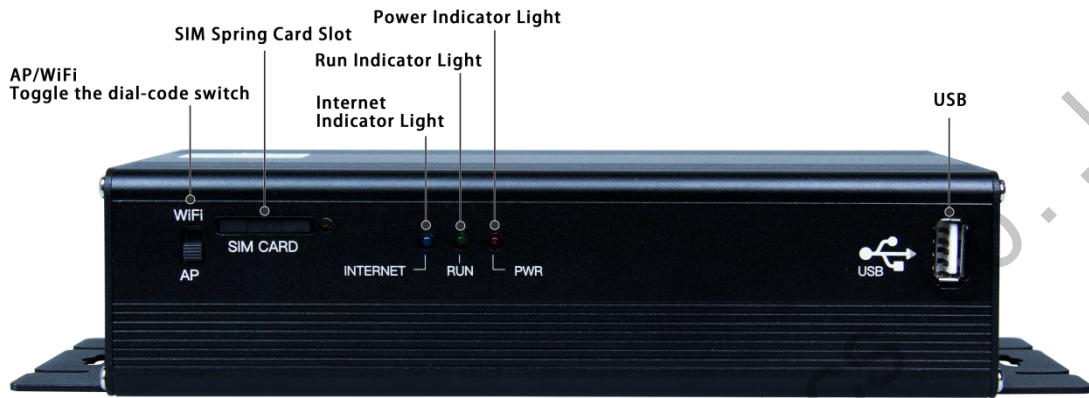
Note : The document is subject to change without prior notice.

Shanghai Xixun Electronics Co., Ltd

Appearance



Interface Diagram



Parameter

System Parameter				
Model	E60B-DC-CH	E60B-DC-NA	E60B-DC-EU	E60B-DC-LA
Pix	E60B-DC: 920 thousand pixes, Resolution: 1280 (wide) *720 (height) E60EB-DC: 920 thousand pixes, Resolution :720 (wide) *1280 (height)			
Communication	4G, WiFi, U Disk			
CPU	Quad-core A7 (32bit) 4 core 1.1GHz			
GPU	A307 409.6MHz			
Memory	8GB Emmc+1GB LPDDR3			
Operation	Android 5.1			
WiFi	IEEE 802.11b/g/n 2.4G			
GPS	GNSS GPS/Beidou/Glonass			
3G/4Gfrequency band (optional)	-China FDD-LTE:B1/3/5/8 TDD-LTE:B38/39/ 40/41 TDSCDMA:B34/39 WCDMA:B1/8 CDMA 1X/EVDO:BC0 GSM:B3/5/8	-North America FDD-LTE:B2/4/5/7 /12/13/17 WCDMA:B2/4/5	-Eurasia FDD-LTE:B1/3/5/7 /8/20 TDD-LTE:B38/40/ 41 WCDMA:B1/5/8 GSM:B3/5/8	-Latin America FDD-LTE:B1/3/5/7 /8/28 TDD-LTE:B40 WCDMA:B1/2/5/8 GSM:B2/3/5/8
Audio	Support			
Camera	Support			
Weather Forecast	Support			
Display content	Support			
Configuration Software	LedOK Express			

Working Parameter

DC input character

Input Voltage Range (Input Voltage)

Enable input (Units)	MIN	NOM	MAX
Voltage DC (Vrms)	10.8Vdc	12Vdc	14Vdc

Steady-state current

DC input voltage 10.8V, The max input current is 40 A.

Surge current

Repeated switch dc, will not damage the power supply or burn insurance.

Input under-voltage protection.

The power supply is controlled by MCU and has the function of input under voltage protection, and the under voltage protection is less than 8V, when the input voltage reaches the undervoltage protection point, the power supply should be in a protected state. When the input voltage rises above 9V, the power supply will automatically return to normal operation.

Input Over voltage protection

The power supply is controlled by MCU and has the function of input under voltage protection, and the under voltage protection is more than 37V, when the input voltage reaches the undervoltage protection point, the power supply should be in a protected state. When the input voltage is less than 36V, the power supply will automatically return to normal operation.

Input undervoltage protection

Min	Nom	Max	VACrecover	VAClow limit
-----	-----	-----	------------	--------------

10.8V	12V	14V	8.5VDC ±1VDC	7.5VDC ±1VDC
-------	-----	-----	-----------------	-----------------

After input undervoltage protection, the power supply can be restored automatically after input voltage is restored.

DC output Character

DC output voltage

	Output voltage	MIN	NOM	MAX	Error
Output 1	+5V	+4.75V	+5.0V	+5.25V	±5%
Output 2	+5V	+4.75V	+5.0V	+5.25V	±5%

DC output Current

	Output voltage	MIN	MAX
Out put 1	+5V	+0	+40A
Output 2	+5V	+0	+40A

Notes:

- Rated Power output 200W*2.
- It' s recommended that the actual power used is less than the rated power.
- It is recommended that the installation should be close to the box body and provide no less than 800 square centimeters of heat dissipation area to ensure safety.

Power input/output connection device parameter



XT60U Female

XT60U Male

Product Model: XT60H With Cable **Product Color:** Yellow
Instantaneous Current: 60A **Rated Current:** 30A
Contact Resistance: 0.50MΩ **Rated Voltage:** DC 500V
Flame Retardant Rating: UL94 V0 **Recommended Wire Gauge:** 12AWG
Metal Material: Gold-Platedbrass **Working Temperature:** -20℃—120℃
Insulation Material: PA **Product Description:** High Current Connector
Use The Number: 1000 TIMES **Recommended Application:** Battery/Controller

User Documentation

Name	Quantity	Notes
Input 12V Cable	1 (all wire joints are fixed with high-temperature resistant structural glue, otherwise there is a risk of loosening))	The wire is 5 meters long, 2.5 square meters high temperature resistant silicon rubber wire, the terminal of the wire is Amass X T60H-F male end, round end -, square end +, It is necessary to pay attention to the positive and negative direction. Just place an order on Taobao.
Controller cable	2	The wire is 5 meters long, 20 to 24 AWG shield flexible wire, through molex 6 core 3.0 mm, female head connector, connect emergency picture (bottom and right two asterisk blackscreen) and emergency text (bottom and right one alarm real-time prompt), other 4 pin can be left blank, add and leave blank according to demand.
Output 5V cable	2 group (---+4 cable) (It can also have one set of output lines, with a maximum output of 200W according to power consumption)	Line 2 meters long, 2.5 square high temperature resistant silicone rubber filaments tin plated copper wire, thread terminal the Amass T60H X - M female head, pay special attention to two lines of the output must be separated, connection screen adapter plate left and right, respectively, the screen body adapter plate between the anode must be disconnected, two lines of output power do not make current equalization circuit, switching card only through signal lines.
Output Gable Ethernet Cable	1 (Molex 2.0 features horizontal adapter with buckle)	The wire length is 2m, and the production of super 6 types of network wires. The control box end of the thread header adopts molex 10 core 3.0mm female connector, while the transfer card end of the thread header connects the

		screen body adopts MOLEX 10 core 2.0mm female connector, which can be connected directly without crossing. Definition: Top right: A-BC-D-earth; Bottom right: A+ B+ C+ D+ EARTH
--	--	---

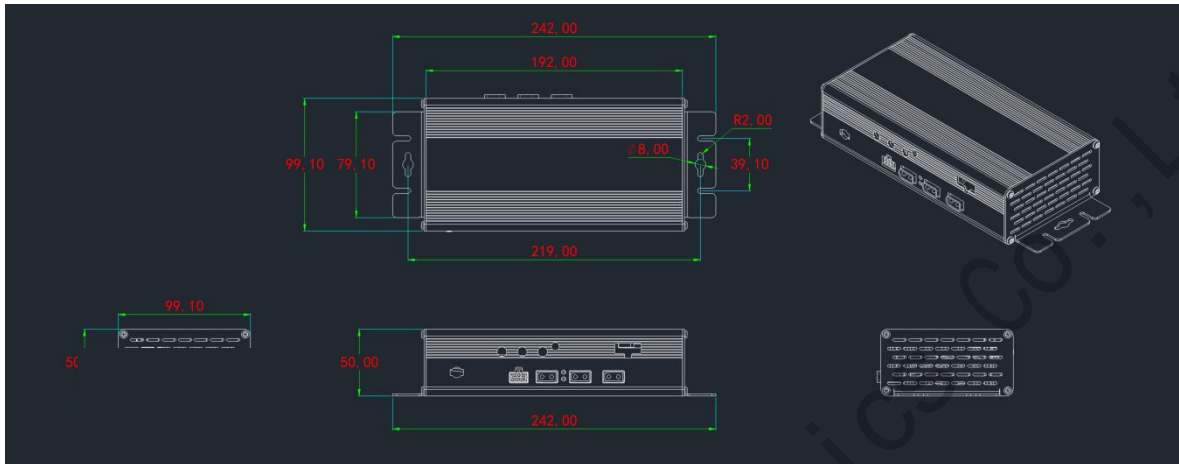
Shanghai Xixun Electronics Co., Ltd

Working Conditions

General Parameters	
Working Voltage (V)	4.5 ~ 5.5
Maximum Working Current (A)	2
Maximum Working Power (W)	10
Working Temperature (°C)	- 40°C ~ + 75°C
Storage Temperature (°C)	-40°C ~ 70°C, recommend 5°C ~35°C
Working Environment Humidity (%)	10% ~ 90%, No Condensation
(Including box) Size (mm)	216.5 (length) ×98.1 (width) ×31.1 (height)
(Excluding box) Size (mm)	186.6 (length) ×93.0 (width) ×18.0 (height)
(Including box) Weight (g)	650
(Excluding box) Weight (g)	450

- a. It is recommended to use an independent (5V3A or above) power supply for the control card;
- b. Excessive operating temperature will cause the power supply efficiency to drop sharply. If the control card and the module share the same power supply, please ensure that the control card has a stable voltage and a reasonable actual current supply.

Installation Dimensions



Unit: mm

Integrated power box dimension drawing

- No fan installed, the power supply directly heat heat to the shell;
- Optimized smaller volume, shortened 28mm;
- Increase the brightness sensor air plug, default not to use, open plug plug.

Cautions

- a. Pay attention to waterproof.
- b. Do not plug or unplug the connection wire.
- c. Try not to touch the chip on the product and its pin to prevent static damage.



Shanghai Xixun Electronics Co., Ltd